

Table of Contents

1 . Introduction	1-1
2 . DOS / Windows 3.x Installation	2-1
2.1.1 Client Driver Installation	2-2
2.1.2 Command Line Options	2-3
2.1.3 Common Problems	2-8
2.2 DSP-225 Enabler for DOS	2-9
2.2.1 Command Line Options	2-10
2.2.2 Common Problems	2-15
3 . Windows 95 Installation	3-1
3.1 Installing a DSP-225 Under Windows 95.	3-1
3.2 DSP-225 Resource Settings in Windows 95	3-2
3.2.1 Viewing Resource Settings with Device Manager	3-3
3.2.2 Changing Resource Settings with Device Manager	3-4
3.3 Common Problems	3-8
4 . OS/2 Installation	4-1
4.1 Command Line Options	4-2
4.1.1 Configuring With "System Assigned" Resources	4-2
4.1.2 Configuring With "User Assigned" Resources	4-3
4.1.3 Advanced Configuration Topics	4-4
4.1.4 Options	4-5
4.1.5 Using Multiple Options	4-5
4.1.6 Applying Options to All The DSP-225 Cards	4-6
4.2 Monitoring The Status Of PCMCIA Cards	4-6
4.3 Common Problems and Important Notes	4-7
5 . Hardware Information	5-1
5.1 I/O Addressing Modes	5-1
5.2 Scratchpad Register	5-1
5.3 Auxiliary Channel Configuration	5-2
5.3.1 Auxiliary Channel: RTS-CTS Handshaking.	5-2
5.3.2 Auxiliary Channel: Handshaking Disabled.	5-3
5.4 Termination Resistors	5-4
5.5 Half Duplex Operation	5-5
5.6 PCMCIA Configuration Register	5-6
6 . External Connections	6-1
7 . Specifications	7-1

List of Figures

Figure 1. DSP-225 Configuration	1-1
Figure 2. Client Driver versus Enabler for DOS/Windows 3.x.	2-1
Figure 3. DOS Client Output Enable Options.	2-4
Figure 4. DOS Enabler Output Enable Options.	2-11
Figure 5. Windows 95 Device Manager	3-4
Figure 6. DSP-225 Basic Configuration Table.	3-6
Figure 7. Windows 95 Resource Allocation	3-7
Figure 8. OS/2 Plug and Play GUI	4-6
Figure 9. Block Mode Addressing.	5-1
Figure 10. Interrupt Status Register.	5-1
Figure 11. Auxiliary Channel RTS-CTS Handshaking.	5-2
Figure 12. Auxiliary Channel Handshaking Disabled	5-3
Figure 13. RS-422/485 Termination	5-4
Figure 14. RS-422/485 Driver Enable Options	5-5
Figure 15. PCMCIA Configuration Options Register	6-6
Figure 16. DSP-225 Adapter Cable	6-1
Figure 17. Connector Signal Assignment.	6-1

1. Introduction

The DSP-225 is a dual channel RS-232 and RS-422/485 asynchronous serial adapter for systems equipped with PCMCIA Type II and/or Type III expansion sockets. The DSP-225 is a PCMCIA Type II (5 mm) card and is PCMCIA PC Card Standard Specification 2.1 compliant.

The figure below illustrates a complete DSP-225 system. The system includes a cable assembly which converts the DSP-225's 0.8mm I/O connector into standard D-9 male and D-9 female connectors.

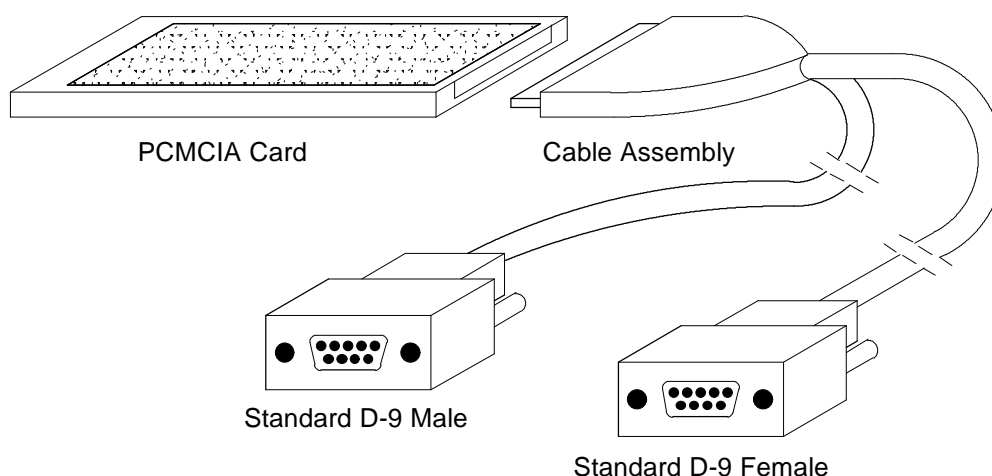


Figure 1. DSP-225 Configuration

The DSP-225's serial ports are implemented using 16C550 Universal Asynchronous Receiver/Transmitters (UARTs) which are the recommended communications interface for multitasking environments and with applications involving high data transfer rates.

The RS-422/485 serial port may be configured to operate in either the Full Duplex or Half Duplex mode; RTS or DTR may be used to enable the output drivers, or the RS-422/485 serial ports may be configured so that the output drivers are always enabled. Another option provided in the RS-422/485 serial ports is an RTS-CTS modem control handshake. This handshake may be enabled or disabled when the DSP-225 is configured.

The DSP-225's two serial ports are addressable in two modes:

1. '**Block Mode**': The two serial ports are configured in one 16-byte continuous block of I/O address space. The block must begin on an even 16-byte division. Both serial ports share one IRQ level.
2. '**COM Mode**': The two serial ports are configured at the standard COM port I/O address locations. The ports may be configured as COM1 and COM3; also, the ports may be configured as COM2 and COM4. Both serial ports share one IRQ level.

A special interrupt status register is also available to simplify the software required to service multiple serial ports in an interrupt driven environments. See the **Hardware Information** section for details on these topics.

2. DOS / Windows 3.x Installation

Two configuration software programs are provided with the DSP-225: a Client Driver, DSP225CL.SYS, and a card Enabler, DSP225EN.EXE. Both of these programs are executed from DOS (before entering Windows) and allow operation of the DSP-225 in both the DOS and Windows 3.x environments. For optimal operation, however, the Client Driver is the preferred method of installation and configuration. The table below highlights the differences between these programs.

Client Driver (recommended)	Enabler (not recommended)
File name: DSP225CL.SYS	File name: DSP225EN.EXE
File type: DOS device driver	File type: DOS executable
Interfaces to PCMCIA Card and Socket Services software (PCMCIA host adapter independent)	Interfaces directly to Intel 82365SL and other PCIC compatible PCMCIA host adapters
Allows automatic configuration of DSP-225 adapters upon insertion (Hot Swapping)	Does not support automatic configuration of DSP-225 adapters upon insertion (Hot Swapping)
Requires PCMCIA Card and Socket Services software	Does not require PCMCIA Card and Socket Services software

Figure 2. Client Driver versus Enabler for DOS/Windows 3.x.

Card and Socket Services software is commercially available from several vendors for most desktop and laptop PCs. If you are unsure whether Card and Socket Services software is currently installed on your system, install the DSP-225 Client Driver as discussed in following section. When loaded, the Client Driver will display an error message if Card and Socket Services software is not detected.

2.1 DSP-225 Client Driver for DOS

In order to use the DSP-225 Client Driver, the system must be configured with Card and Socket Services software. Card and Socket Services software is not provided with the DSP-225 but is available from Omega.

IMPORTANT:

Some versions of Card and Socket Services dated before 1993 do not support general purpose I/O cards. If after careful installation of the Client Driver the DSP-225 does not configure or operate properly, an updated version of Card and Socket Services may be required.

2.1.1 Client Driver Installation

The following procedure is used to install the DSP-225 Client Driver:

1. Copy the file DSP225CL.SYS from the DSP-225 distribution diskette onto the system's hard drive.
2. Using an ASCII text editor, open the system's CONFIG.SYS file located in the root directory of the boot drive.
3. Locate the line(s) in the CONFIG.SYS file where the Card and Socket Services software is installed.
4. **AFTER** the line(s) installing the Card and Socket Services software, add the following line to the CONFIG.SYS file:

```
DEVICE = drive:\path\DSP225CL.SYS options
```

where *options* are the DSP-225 Client Driver command line options discussed on the following pages.

5. Save the CONFIG.SYS file and exit the text editor.
6. Insert the DSP-225 into one of the system's PCMCIA slots.

NOTE: Since the DSP-225 Client Driver supports "Hot Swapping", it is not necessary to have the DSP-225 installed when booting the system. By inserting the card before booting, however, the Client Driver will report the adapter configuration during the boot process thereby verifying the changes made to the CONFIG.SYS.

7. Reboot the system and note the message displayed when the DSP-225 Client Driver is loaded. If the Client Driver reports an

"invalid command line option", correct the entry in the CONFIG.SYS file and reboot the system again. If the Client Driver reports "Card and Socket Services not found", a version of Card and Socket Services must be installed on the system or the DSP-225 Enabler program must be used to configure the adapter. If the Client Driver reports the desired adapter configuration, the installation process is complete and the DSP-225 may be removed and / or inserted from the system as desired. On each insertion into the PCMCIA socket, the DSP-225 will be automatically reconfigured according to the command line options.

2.1.2 Command Line Options

The DSP-225 Client Driver accepts up to eight command line arguments from the user to determine the configuration of the DSP-225. If any arguments are provided, the Client Driver will attempt to configure any DSP-225s with the options specified in the order they are entered on the command line. Each argument must be enclosed in parenthesis and must be separated from other arguments by a **space** on the command line. Within each argument, any or all of the following parameters may be specified using a **comma (no spaces)** to separate each parameter:

Baddress specifies a "block mode" base I/O address of the DSP-225 in hexadecimal. This address **must** reside on an even 16-byte (10H) boundary. This option **must** be omitted if using the *Dmode* option. If both the *Dmode* and *Baddress* options are omitted, a "block mode" base address will be assigned by Card and Socket Services.

Dmode specifies a "COM" mode" base I/O address configuration for the DSP-225. The **D1** option configures the DSP-225 at COM1/COM3 (3F8 / 3E8), and the **D2** option configures the DSP-225 at COM2/COM4 (2F8 / 2E8). This option **must** be omitted if using the *Baddress* option. If both the *Dmode* and *Baddress* options are omitted, a "block mode" base address will be assigned by Card and Socket Services.

Iirq specifies the interrupt level (IRQ) of the DSP-225 in decimal. *irq* must be one of the following values: 3, 4, 5, 7, 9, 10, 11, 12, 14, 15, or 0 if no IRQ is desired. If this option is omitted, an interrupt level will be assigned by Card and Socket Services.

Ssocket specifies which PCMCIA socket the DSP-225 must be inserted into for this configuration argument to be used. *socket* must be in the range 0 - 15. If this option is omitted, the configuration argument will apply to DSP-225s inserted into any socket.

Odriver specifies the output driver enable option for the RS-422/485 port. The DSP-225's RS-422/485 port may be configured for either full duplex or half duplex operation with this option. In half duplex mode, the RS-422/485 transmitter may be enabled and disabled via the RTS (request to send) or DTR (data terminal ready) signals. Both RTS and DTR are controlled through the Modem Control Register of the 16550. If this option is omitted, the default setting is the RS-422/485 port configured for full duplex operation with the RS-422/485 output drivers always enabled. See the **Hardware Information** section for more information.

Option	RS-422/485 Output Drivers
o0	Always Enabled
o1	RTS Controlled
o2	DTR Controlled

Figure 3. DOS Client Output Enable Options.

H instructs the client driver to enable the RTS-CTS modem control handshake for the RS-422/485 port. When modem control handshaking is enabled, the 16C550 UART's RTS and CTS signals are connected to the RS-422/485 auxiliary channel. The auxiliary channel may then be used for handshaking between the DSP-225's RS-422/485 port and a peripheral device. When modem control handshaking is disabled, the RTS and CTS signals from the 16C550 UART are looped back to each other. If this option is omitted, the default setting is RTS-CTS modem control handshake disabled. See the **Hardware Information** section for more information.

U instructs the Client Driver to disable the DSP-225's interrupt status register and enable the Scratchpad registers of the individual UARTs. This option is only required in very rare cases where an application program requires access to the UART's Scratchpad register. If this option is omitted, the DSP-225's interrupt status register is enabled and the UARTs' Scratchpad registers are disabled.

F instructs the Client Driver to switch the I/O locations of the RS-232 port and the RS-422/485 port.

- RS-232 Port I/O = (base + 8h) - (base +Fh), COM3/4
- RS-422/485 Port I/O = (base) - (base +7h), COM1,2

By using 'F' option, the RS-422/485 port may be located at the lower I/O address location in the 'Block Mode' (or the lower COM Port number in the 'COM Mode'). This option moves the RS-232 port to the upper I/O address location in the 'Block Mode' (or the higher COM number in the 'COM Mode'). If this option is omitted, the DSP-225's RS-232 port is located at the lower I/O address location (or lower COM Port number).

2.1.2.1 Example 1

```
DEVICE = C:\DSP-225\DSP225CL.SYS
```

In example 1, no command line arguments are specified. The Client Driver will configure a DSP-225 inserted into any socket in "block mode" with a base address and IRQ assigned by Card and Socket Services. The DSP-225's interrupt status register will be enabled, the RS-422/485 output drivers for the RS-422/485 port will always be enabled, RTS-CTS modem control handshaking will be disabled, and the RS-232 port will be located at the lower I/O address location.

2.1.2.2 Example 2

```
DEVICE = C:\DSP-225\DSP225CL.SYS (d1,f)
```

In example 2, a single command line argument is provided. The Client Driver will attempt to configure a DSP-225 inserted into any socket in "COM mode" at COM1/COM3 and an IRQ assigned by Card and Socket Services. If address COM1 (3F8) or COM3 (3E8) are unavailable, the DSP-225 will not be configured. If the Client Driver can successfully configure the DSP-225, its interrupt status register will be enabled, the RS-422/485 output drivers for the RS-422/485 port will always be enabled, RTS-CTS modem control handshaking will be disabled, and the I/O locations of the RS-232 port and the RS-422/485 port will be switched (RS-422/485 port assigned COM1, RS-232 port assigned COM3).

2.1.2.3 Example 3

DEVICE = C:\DSP-225\DSP225CL.SYS (s0,b300,i5,o2)

In example 3, a single command line argument is provided. The Client Driver will attempt to configure a DSP-225 inserted into socket 0 with a base address of 300H and IRQ 5. If address 300H or IRQ 5 is unavailable, the DSP-225 will not be configured. In addition, if a DSP-225 is inserted into any other socket, it will not be configured. If the Client Driver can successfully configure the DSP-225, its interrupt status register will be enabled, the RS-422/485 port output drivers will be enabled and disabled via the DTR signal, RTS-CTS modem control handshaking will be disabled, and the RS-232 port will be located at the lower I/O address location.

2.1.2.4 Example 4

DEVICE = C:\DSP-225\DSP225CL.SYS (i5,h,u,b300)

In example 4, a single command line argument is provided. Because the parameter order is not significant, the Client Driver will attempt to configure a DSP-225 inserted into any socket with a base address of 300H and IRQ 5. If address 300H or IRQ 5 is unavailable, the DSP-225 will not be configured. If the Client Driver can successfully configure the DSP-225, its interrupt status register will be disabled (Scratchpad registers enabled), the RS-422/485 output drivers for the RS-422/485 port will always be enabled, RTS-CTS modem control handshaking will be enabled on the RS-422/485 port's auxiliary channel, and the RS-232 port will be located at the lower I/O address location.

2.1.2.5 Example 5

DEVICE = C:\DSP-225\DSP225CL.SYS (b300,i5) (i10) ()

In example 5, three command line arguments are provided. The Client Driver will first attempt to configure a DSP-225 inserted into any socket with a base address of 300H and IRQ 5. If address 300H or IRQ 5 is unavailable, the Client Driver will proceed to the second command line argument and attempt to configure the card with a base address assigned by Card and Socket Services and IRQ 10. If IRQ 10 is also unavailable, the Client Driver will proceed to the third command line argument and attempt to configure the DSP-225 with a base address and an IRQ

assigned by Card and Socket Services. If the Client Driver can successfully configure the DSP-225, its interrupt status register will be enabled, the RS-422/485 output drivers for the RS-422/485 port will always be enabled, and RTS-CTS modem control handshaking will be disabled.

2.1.2.6 Example 6

```
DEVICE = C:\DSP-225\DSP225CL.SYS (b300,i5) ( ) (i10)
```

In example 6, the three command line arguments of example 5 have been rearranged. The Client Driver will first attempt to configure a DSP-225 inserted into any socket with a base address of 300H and IRQ 5. If address 300H or IRQ 5 is unavailable, the Client Driver will proceed to the second command line argument and attempt to configure the card with a base address and IRQ assigned by Card and Socket Services. Since the second command line argument includes all available address and IRQ resources, the third command line argument will never be reached by the Client Driver. It is the user's responsibility to place the command line arguments in a logical order.

2.1.2.7 Example 7

```
DEVICE = C:\DSP-225\DSP225CL.SYS (s0,b300,i5) (s1,b340,i10)
```

The type of configuration shown in example 7 may be desirable in systems where more than one DSP-225 is to be installed. In this example, the Client Driver will attempt to configure a DSP-225 inserted into socket 0 with a base address of 300H and IRQ 5. If the DSP-225 is inserted into socket 1, the Client Driver will attempt to configure it with base address 340H and IRQ 10. This allows the user to force the DSP-225's address and IRQ settings to be socket specific which may simplify cable connections and software development. As in the previous examples, however, if the requested address or interrupt resources are not available, the DSP-225 will not be configured.

2.1.3 Common Problems

Generic Client Drivers:

Many Card and Socket Services packages include a generic client driver (or SuperClient) which configures standard I/O devices. If one of these generic client drivers is installed, it may configure the DSP-225 causing the DSP-225 client driver to fail installation. In these cases, the user should do one of the following:

1. modify the operation of the generic client driver to disable the configuration of modem/serial port cards. Consult the Card and Socket Services documentation for availability and details of this feature.
2. place the DSP-225 client driver before the generic client driver in the CONFIG.SYS.

Available Resources:

One function of the Card and Socket Services software is to track which system resources (memory addresses, I/O addresses, IRQs, etc.) are available for assignment to inserted PCMCIA cards. Sometimes, however, the Card Services software assumes or incorrectly determines that a particular resource is used when it is actually available. Most Card and Socket Services generate a resource table in a file (typically in the form of an .INI file) which the user can modify to adjust the available system resources. Consult the Card and Socket Services documentation for availability and details of this feature.

Multiple Configuration Attempts:

Some Card and Socket Services have a setting which aborts the configuration process after a single configuration failure (such as a request for an unavailable resource). The user should change this setting to allow for multiple configuration attempts. Consult the Card and Socket Services documentation for availability and details of this feature.

Older Versions of Card and Socket Services:

Some versions of Card and Socket Services dated before 1993 do not support general purpose I/O cards. If after careful installation of the Client Driver the DSP-225 does not configure or operate properly, an updated version of Card and Socket Services may be required. Card and Socket Services software is available from Omega.

2.2 DSP-225 Enabler for DOS

For systems that are not operating PCMCIA Card and Socket Services software, the DSP-225 DOS Enabler may be used to enable and configure the adapter. This Enabler, DSP225EN.EXE, will operate on any DOS system using an Intel 82365SL or PCIC compatible PCMCIA host adapter including the Cirrus Logic CL-PD6710 / 6720, the VLSI VL82C146, and the Vadem VG-365 among others.

IMPORTANT:

In order to use the DSP-225 Enabler for DOS, the system **MUST NOT** be configured with Card and Socket Services software. If a Card and Socket Services software is installed, the DSP-225 Enabler may interfere with its operation and with the device(s) it controls.

The DSP-225 Enabler does not support automatic configuration of adapters upon insertion, more commonly referred to as "Hot Swapping". This means the adapter must be installed in one of the system's PCMCIA sockets before executing DSP225EN.EXE. If more than one adapter is installed in a system, the Enabler must be executed separately for each adapter. Furthermore, DSP225EN.EXE should be executed to release the resources used by the adapter before it is removed from the PCMCIA socket. Since PCMCIA adapters do not retain their configuration after removal, any adapter that is removed from the system must be reconfigured with the Enabler after re-inserting it into a PCMCIA socket.

IMPORTANT:

The Enabler requires a region of high DOS memory when configuring a DSP-225. This region is 1000H bytes (4KB) long and by default begins at address D0000H (the default address may be changed using the "W" option). If a memory manager such as EMM386, QEMM, or 386Max is installed on the system, this region of DOS memory must be excluded from the memory manager's control. Consult the documentation provided with the memory manager software for instructions on how to exclude this memory region.

2.2.1 Command Line Options

To configure a DSP-225 in the system, the Enabler requires one command line argument from the user to determine the configuration of the card. This argument must be enclosed in parenthesis and within the argument, any or all of the following parameters may be specified using a **comma** (**no spaces**) to separate each parameter:

- Ssocket* specifies which PCMCIA socket the DSP-225 must be inserted into for this configuration argument to be used. *socket* must be in the range 0 - 15. This option is always required.
- Baddress* specifies a "block mode" base I/O address of the DSP-225 in hexadecimal. This address must reside on an even 16-byte (10H) boundary. Specify only **one** of the following three options: *Baddress*, *Dmode*, or 'R'. Use of one of these options is **always** required.
- Dmode* specifies a "COM" mode" base I/O address configuration for the DSP-225. The 'D1' option configures the DSP-225 at COM1/COM3 (3F8 / 3E8), and the 'D2' option configures the DSP-225 at COM2/COM4 (2F8 / 2E8). Specify only **one** of the following three options: *Baddress*, *Dmode*, or 'R'. Use of one of these options is **always** required.
- Iirq* specifies the interrupt level (IRQ) of the DSP-225 in decimal. *irq* must be one of the following values: 3, 4, 5, 7, 9, 10, 11, 12, 14, 15, or 0 if no IRQ is desired. This option is required if the 'R' option is not used.
- Waddress* specifies the base address of the memory window required to configure the DSP-225. Set *address* = D0 for a memory window at segment D000, *address* = D8 for a memory window at segment D800, etc. Valid settings for *address* are C8, CC, D0, D4, D8, and DC. If this option is omitted, a memory window at segment D000 will be used.

Odriver specifies the output driver enable option for the RS-422/485 port. The DSP-225's RS-422/485 port may be configured for either full duplex or half duplex operation with this option. In half duplex mode, the RS-422/485 transmitter may be enabled and disabled via the RTS (request to send) or DTR (data terminal ready) signals. Both RTS and DTR are controlled through the Modem Control Register of the 16550. If this option is omitted, the default setting is the RS-422/485 port configured for full duplex operation with the RS-422/485 output drivers always enabled. See the **Hardware Information** section for more information.

Option	RS-422/485 Output Drivers
o0	Always Enabled
o1	RTS Controlled
o2	DTR Controlled

Figure 4. DOS Enabler Output Enable Options.

H instructs the enabler to enable the RTS-CTS modem control handshake for the RS-422/485 port. When modem control handshaking is enabled, the 16C550 UART's RTS and CTS signals are connected to the RS-422/485 auxiliary channel. The auxiliary channel may then be used for handshaking between the DSP-225's RS-422/485 port and a peripheral device. When modem control handshaking is disabled, the RTS and CTS signals from the 16C550 UART are looped back to each other. If this option is omitted, the default setting is RTS-CTS modem control handshake disabled. See the **Hardware Information** section for more information.

U instructs the enabler to disable the DSP-225's interrupt status register and enable the Scratchpad registers of the individual UARTs. This option is only required in very rare cases where an application program requires access to the UART's Scratchpad register. If this option is omitted, the DSP-225's interrupt status register is enabled and the UARTs' Scratchpad registers are disabled.

F instructs the enabler to switch the I/O locations of the RS-232 port and the RS-422/485 port.

- RS-232 Port I/O = (base + 8h) - (base +Fh), COM3/4
- RS-422/485 Port I/O = (base) - (base +7h), COM1,2

By using 'F' option, the RS-422/485 port may be located at the lower I/O address location in the 'Block Mode' (or the lower COM Port number in the 'COM Mode'). This option moves the RS-232 port to the upper I/O address location in the 'Block Mode' (or the higher COM number in the 'COM Mode'). If this option is omitted, the DSP-225's RS-232 port is located at the lower I/O address location (or lower COM Port number).

Before removing a DSP-225 from its PCMCIA socket, the Enabler should be executed to free the system resources allocated when the card was installed. For this operation the Enabler provides an additional command line option:

R instructs the enabler to release the resources previously allocated to the DSP-225. When the 'R' option is used, any settings specified by the 'B', 'D', 'I', 'O', 'H', 'U' and 'F' options are ignored.

2.2.1.1 Example 1

DSP225EN.EXE

In example 1, no command line argument is specified. The Enabler will report an error and display the proper usage of the command.

2.2.1.2 Example 2

DSP225EN.EXE (s0,b300,i5)

In example 2, the Enabler will configure the DSP-225 in socket 0 with a base address of 300H and IRQ 5 using a configuration memory window at segment D000. The DSP-225's interrupt status register will be enabled, the output drivers for the RS-422/485 port will always be enabled, RTS-CTS modem control handshaking will be disabled, and the RS-232 port will be located at the lower I/O address location.

2.2.1.3 Example 3

DSP225EN.EXE (i10,h,u,b340,s1)

In example 3, the Enabler will configure the DSP-225 in socket 1 with a base address of 340H and IRQ 10 using a configuration memory window at segment D000. The DSP-225's interrupt status register will be disabled (Scratchpad registers enabled), the output drivers for the RS-422/485 port will always be enabled, RTS-CTS modem control handshaking will be enabled on the RS-422/485 port's auxiliary channel, and the RS-232 port will be located at the lower I/O address location.

2.2.1.4 Example 4

DSP225EN.EXE (s0,b300,i3,wd8)

In example 4, the Enabler will configure the DSP-225 in socket 0 with a base address of 300H and IRQ 3 using a configuration memory window at segment D800. The DSP-225's interrupt status register will be enabled, the output drivers for the RS-422/485 port will always be enabled, RTS-CTS modem control handshaking will be disabled, and the RS-232 port will be located at the lower I/O address location.

2.2.1.5 Example 5

DSP225EN.EXE (s1,d2,i3,f,o1)

In example 4, the Enabler will configure the DSP-225 in socket 1 in "COM mode" at COM2/COM4 and IRQ 3. The DSP-225's interrupt status register will be enabled, the output drivers for the RS-422/485 port will be enabled and disabled via the RTS signal, RTS-CTS modem control handshaking will be disabled, and the I/O locations of the RS-232 port and the RS-422/485 port will be switched (RS-422/485 port assigned COM2, RS-232 port assigned COM4).

2.2.1.6 Example 6

DSP225EN.EXE (s0,b300,i5,r)

In example 6, the Enabler will release the configuration used by the DSP-225 in socket 0 using a configuration memory window at segment D000. The base address and IRQ parameters are ignored and may be omitted.

2.2.1.7 Example 7

DSP225EN.EXE (s1,r,wcc)

In example 7, the Enabler will release the configuration used by the DSP-225 in socket 1 using a configuration memory window at segment CC00.

2.2.2 Common Problems

Memory Range Exclusion:

The Enabler requires a region of high DOS memory when configuring a DSP-225. This region is 1000H bytes (4KB) long and by default begins at address D0000H (the default address may be changed using the "W" option). If a memory manager such as EMM386, QEMM, or 386Max is installed on the system, this region of DOS memory must be excluded from the memory manager's control. Consult the documentation provided with the memory manager software for instructions on how to exclude this memory region.

Furthermore, some systems use the high memory area for BIOS shadowing to improve overall system performance. In order for the Enabler to operate, any BIOS shadowing must be disabled in the address range specified for the configuration window. BIOS shadowing can usually be disabled through the system's CMOS setup utility.

Socket Numbers:

The Enabler requires the DSP-225's socket number to be specified on the command line and the DSP-225 must be inserted into the socket before the Enabler is invoked. Some vendors number their sockets from 1 to N while other vendors number their sockets from 0 to N-1. For the DSP-225 Enabler, the lowest socket number in the system is designated socket 0.

Card and Socket Services Software:

In order to use the DSP-225 Enabler for DOS, the system MUST NOT be configured with Card and Socket Services software. If a Card and Socket Services software is installed, the DSP-225 Enabler may interfere with its operation and with the device(s) it controls. For systems configured with Card and Socket Services, the DSP-225 Client Driver is the recommended method of configuration.

(This page intentionally left blank.)

3. Windows 95 Installation

To allow easy configuration of the DSP-225, a Windows 95 "INF" configuration file has been written for the hardware. This configuration file supports the DSP-225 in both addressing modes: block mode and "com" mode. Additionally, the RTS-CTS modem control handshake option and the RS-422/485 output driver enable option for full and half duplex operation is supported.

3.1 Installing a DSP-225 Under Windows 95.

1. Insert the DSP-225 into any available PC Card socket.
2. The first time a new PC Card type is installed the **New Hardware Found** window opens. After this first installation Windows 95 will automatically detect and configure the card. If the **New Hardware Found** window does not open, then skip to the next section, "DSP-225 Resource Settings".
3. The **New Hardware Found** window provides several options to configure the DSP-225 card. Click the "**Driver from Disk**" option button. Click "OK" to continue.
4. An "**Install from Disk**" dialog box should appear. Insert the diskette with the "**DSP-225.INF**" file, select the correct drive letter and path, and click "OK". Windows 95 will browse the path for the aforementioned files.
5. During the installation process, it may be required to supply the computer with the Windows 95 CD or installation diskettes. The DSP-225's serial devices will require the file "SERIALUI.DLL". Insert the CD or diskette and click "OK".

IMPORTANT NOTE:

If the user already has these files installed on the computer, or if the installation disks are unavailable, it may not be necessary to supply the computer with the Windows 95 CD or installation diskettes. If prompted for the disks, click "OK". A dialog box with an option to skip will appear. Click the "Skip" button and the files will not be installed. If these files exist in the windows system directory, those files will be used.

The DSP-225 PC Card should now be configured. The default configuration for the DSP-225 is a base address and IRQ assigned by Windows 95, the DSP-225's interrupt status register will be disabled, the 16C550 UART's scratchpad registers will be enabled, the RS-422/485 output drivers for both ports will always be enabled, and RTS-CTS modem control handshaking will be disabled. In the future, Windows 95 will automatically recognize and configure the DSP-225 in this default configuration.

3.2 DSP-225 Resource Settings in Windows 95

Windows 95 maintains a registry of all known hardware installed within the computer. Inside this hardware registry Windows 95 keeps track of all the computer's resources, such as base I/O addresses, IRQ levels, and DMA channels. In the case of a **PC Card (PCMCIA)** type board, Windows 95 configures the new hardware using free resources it finds within the hardware registry, and updates the registry automatically.

To view and / or edit hardware devices in Windows 95 use the system **Device Manager**. To access Device Manager double click the **System** icon in the Windows 95 control panel, or click the **My Computer** icon on the Win95 desktop with the right mouse button and select **Properties** from the pull down menu. Consult Windows 95 on-line help for details on the use of the **Device Manager**.

Windows 95 handles the DSP-225 as a "parent/child device".

- ▼ The DSP-225 is the "parent device" and is listed under the hardware class **Multi-function Adapters** in the device manager.
- ▼ Each serial port is a "child device" of the "parent device" DSP-225. There are 2 child COM ports for the DSP-225 which are listed under the hardware class **Ports (Com & LPT)**.

3.2.1 Viewing Resource Settings with Device Manager

1. Start the Windows 95 **Device Manager**.
2. Double click on the hardware class **Multi-function Adapters** to list hardware devices in the class.
3. The DSP-225 "parent device" belongs to this hardware class. The device name for the DSP-225 is **DSP-225: 2 Serial Ports, 1 RS-232 and 1 RS-422/RS-485** (see Figure 4. Windows 95 Device Manager).
4. Open the **Properties** dialog for the DSP-225 device, then click the **Resources** tab to view the Input/Output Range and Interrupt Request resource allocations. Examine and remember the Input/Output Range, then close the properties window.
5. Double click the hardware class **Ports (Com and LPT)**. Two of the Logical COM Ports (COM2, COM4, etc.) listed in this class are the "child devices" of the DSP-225 "parent device".
6. View the Properties dialog for each COM port and examine the Resources allocated to each port. Inside the Resource allocation window two of the COM ports will identify the **DSP-225: 2 Serial Ports, 1 RS-232 and 1 RS-422/RS-485** as the parent device. The Input/Output Range and Interrupt Request resource allocations for these two COM ports will also match the resource allocations of the DSP-225 "parent device".
7. Use the COM Port device names (COM2, COM4, etc.) to access any of the particular serial ports on the DSP-225. This name is required by a Windows 95 application when accessing a particular port.

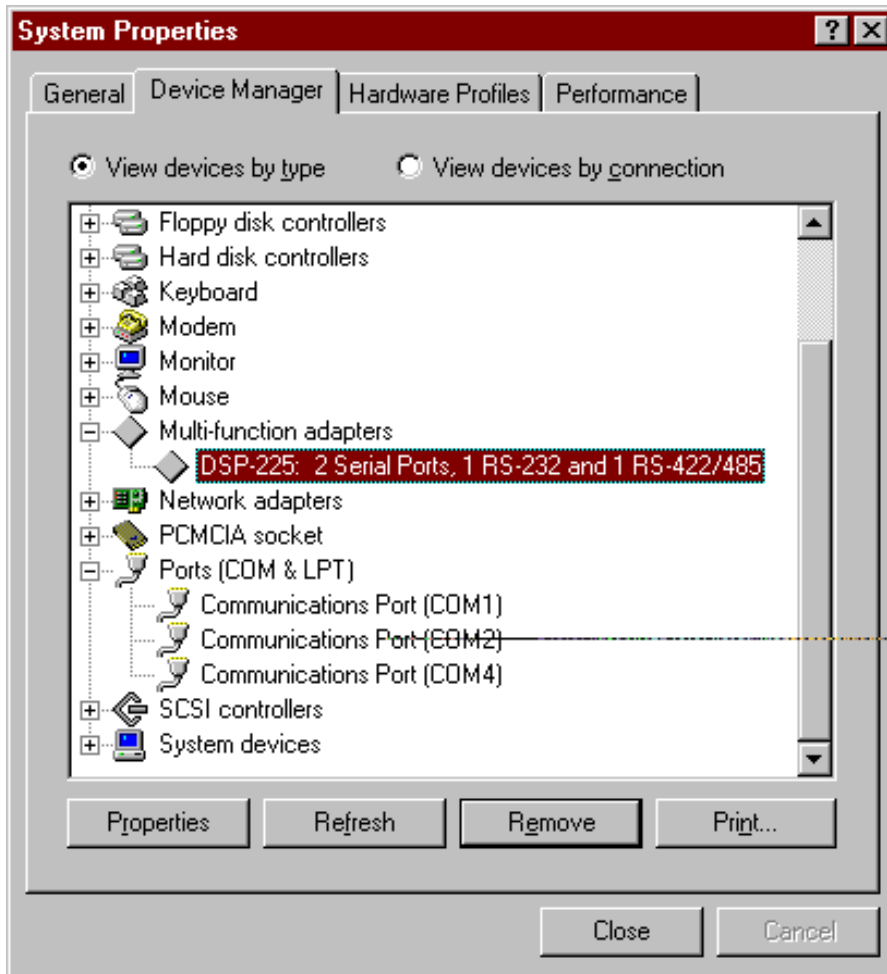


Figure 5. Windows 95 Device Manager

3.2.2 Changing Resource Settings with Device Manager

1. Start the Windows 95 **Device Manager**.
2. Double click on the hardware class **Multi-function Adapters** to list hardware devices in the class.
3. The DSP-225 "parent device" belongs to this hardware class. The device name for the DSP-225 is **DSP-225: 2 Serial Ports, 1 RS-232 and 1 RS-422/RS-485**.
4. Open the **Properties** dialog for the DSP-225 device, then click the **Resources** tab to view the Input/Output Range and Interrupt Request resource allocations. (see Figure 6. Windows 95 Resource Allocation)

5. Several predefined **Basic Configurations** have been included for the DSP-225 (see Figure 5. DSP-225 Basic Configuration Table). The Basic Configurations provide many combinations of the operating modes and options listed below. See the **Hardware Information** section of this manual for complete descriptions.
 - v I/O address range and mode: The DSP-225 is addressable in two modes: "block" mode and "COM" mode. When the DSP-225 is configured in "COM" mode, standard addresses for either COM1/COM3 or COM2/COM4 will be used. Addresses 3F8/3E8 are the standard addresses for COM1/COM3, and addresses 2F8/2E8 are the standard addresses for COM2/COM4. Some older applications are limited to using COM ports 1-4, in which case "COM" mode addressing is necessary. When the DSP-225 is configured in "block" mode, non-standard base addresses are used. Windows 95 enumerates any COM port at a non-standard address starting with COM5.
 - v RTS - CTS modem control handshaking: When modem control handshaking is enabled, the 16C550 UART's RTS and CTS signals are connected to the RS-422/485 auxiliary channel. The auxiliary channel may then be used for handshaking between a DSP-225 RS-422/485 port and a peripheral device. When modem control handshaking is disabled, the RTS and CTS signals from the 16C550 UART are looped back to each other.
 - v RS-422/485 output drivers enable option: The DSP-225's RS-422/485 port may be configured for either full duplex or half duplex operation with this option. The default setting is the RS-422/485 port is configured for full duplex operation with the output drivers always enabled. In half duplex mode, the RS-422/485 transmitter may be enabled and disabled via the RTS (request to send) or DTR (data terminal ready) signals. Both RTS and DTR are controlled through the Modem Control Register of the 16550.

When the **Use Automatic Settings** check box is enabled Windows 95 will attempt to configure the DSP-225 in the order listed in the Basic Configurations table.

Basic Configuration	DSP-225 Port Addresses	RTS - CTS Handshaking	RS-422/485 Output Drivers
0000*	3F8, 3E8	Disabled	Always Enabled
0001*	3F8, 3E8	Enabled	Always Enabled
0002*	3F8, 3E8	Disabled	DTR Controlled
0003*	3F8, 3E8	Enabled	DTR Controlled
0004*	3F8, 3E8	Disabled	RTS Controlled
0005*	3F8, 3E8	Enabled	RTS Controlled
0006*	2F8, 2E8	Disabled	Always Enabled
0007*	2F8, 2E8	Enabled	Always Enabled
0008*	2F8, 2E8	Disabled	DTR Controlled
0009*	2F8, 2E8	Enabled	DTR Controlled
000A*	2F8, 2E8	Disabled	RTS Controlled
000B*	2F8, 2E8	Enabled	RTS Controlled
000C	110, 118	Disabled	Always Enabled
000D	110, 118	Enabled	Always Enabled
000E	110, 118	Disabled	DTR Controlled
000F	110, 118	Enabled	DTR Controlled
0010	110, 118	Disabled	RTS Controlled
0011	110, 118	Enabled	RTS Controlled
0012	120, 128	Disabled	Always Enabled
0013	120, 128	Enabled	Always Enabled
0014	120, 128	Disabled	DTR Controlled
0015	120, 128	Enabled	DTR Controlled
0016	120, 128	Disabled	RTS Controlled
0017	120, 128	Enabled	RTS Controlled
0018	290, 298	Disabled	Always Enabled
0019	290, 298	Enabled	Always Enabled
001A	290, 298	Disabled	DTR Controlled
001B	290, 298	Enabled	DTR Controlled
001C	290, 298	Disabled	RTS Controlled
001D	290, 298	Enabled	RTS Controlled
001E	340, 348	Disabled	Always Enabled
001F	340, 348	Enabled	Always Enabled
0020	340, 348	Disabled	DTR Controlled
0021	340, 348	Enabled	DTR Controlled
0022	340, 348	Disabled	RTS Controlled
0023	340, 348	Enabled	RTS Controlled
0024	350, 358	Disabled	Always Enabled
0025	350, 358	Enabled	Always Enabled
0026	350, 358	Disabled	DTR Controlled
0027	350, 358	Enabled	DTR Controlled
0028	350, 358	Disabled	RTS Controlled
0029	350, 358	Enabled	RTS Controlled

Figure 6. DSP-225 Basic Configuration Table.

* Indicates "COM" mode addressing. Addresses 3F8/3E8 are the standard addresses for COM1/COM3. Addresses 2F8/2E8 are the standard addresses for COM2/COM4. All other basic configurations use "block" mode addressing at

non-standard base addresses. Windows 95 enumerates any COM port at a non-standard address starting with COM5.

6. Select a **Basic Configurations** that displays "No conflicts" in the bottom display region titled **Conflicting Device List** from the drop down list. Some applications may not be able to access ports higher than COM4. To use the DSP-225 PCMCIA serial ports with these applications you might be forced to remove other serial communications devices from your system.

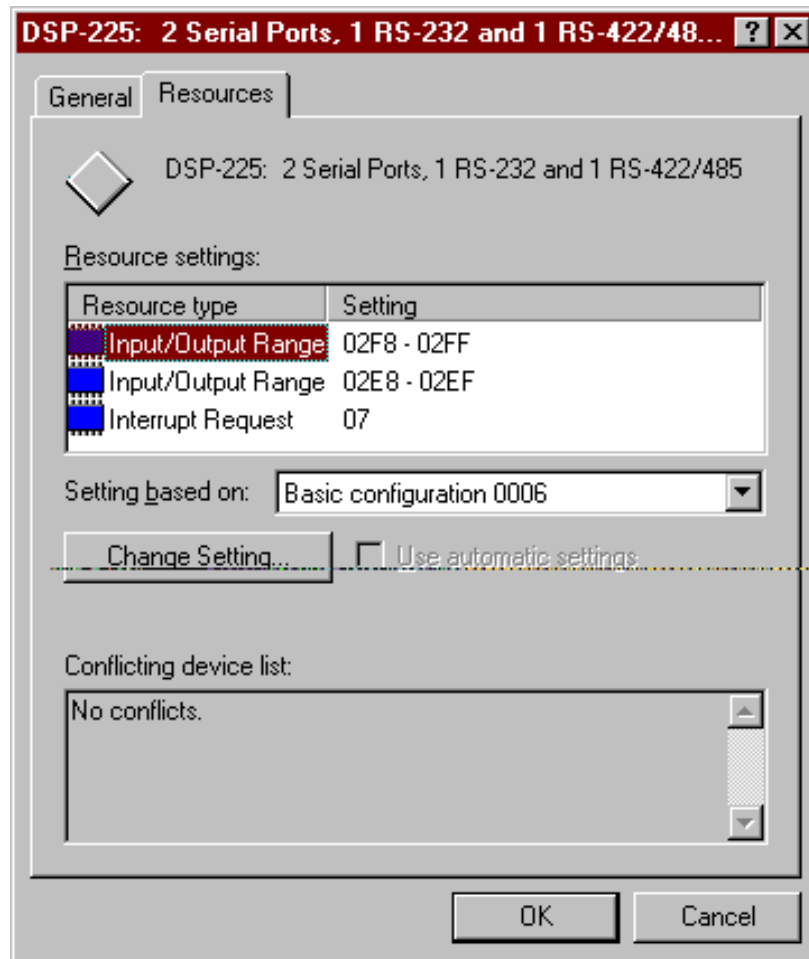


Figure 7. Windows 95 Resource Allocation

7. Windows 95 should have chosen an available **Interrupt Request** setting automatically when the I/O address range was configured by a Basic Configuration selection. This default **Interrupt Request** setting should not need changed as long as "No conflicts" is displayed in the bottom display region titled **Conflicting Device List**. If you are satisfied with Windows 95 selection then skip the next step.

8. To modify the **Interrupt Request** setting click the resource name and click the **Change Setting** button. An Edit Resource window will open up. Inside this window click on the up/down arrows to the right of the Interrupt Request value. This scrolls you through all of the allowable resources for your hardware. Pay attention to the conflict information at the bottom of the window. Do not select a value that causes a conflict with any other installed hardware.
9. If any changes have been made to the DSP-225's configuration the card will automatically be reconfigured to the new resources specified. Any time a PCMCIA card of this type is inserted Windows 95 will attempt to configure the card at these resource settings. Click the **Use Automatic Settings** box to reset this card type for automatic configuration.

3.3 Common Problems

Basic Configuration List Not Available:

A problem noted on some systems is after a basic configuration has been manually selected the basic configurations list for the DSP-225 is no longer available. The solution to this problem is to check the "Use Automatic Settings" box and allow Windows 95 to reconfigure the DSP-225 card. The basic configurations list should once again be visible.

Base I/O Address Resource Modification Not Allowed:

The DSP-225 is configured to allow only a fixed number of base I/O addresses. To change the I/O address resources for the DSP-225 select another "Basic Configuration". Refer to the Basic Configurations table for a list of the available I/O address resources for the DSP-225.

4. OS/2 Installation

In order to use the DSP-225 Client Driver for OS/2, the system must be configured as follows:

1. The system must be running OS/2 version 2.1 or later.
2. OS/2 PCMCIA Card and Socket Services support must be installed. If PCMCIA support was not selected when OS/2 was installed, it can be added using the Selective Install facility in the System Setup folder. On OS/2 2.1 and 2.11, Socket Services must be added separately. The necessary files can be found on CompuServe in the OS2SUPPORT forum and may be available elsewhere. These files are not available from Omega Engineering, Inc.
3. Omega's OS/2 serial port device driver, "QCOM" version 2.01 or later, must be installed. The DSP-225 will not operate with the standard OS/2 serial port device drivers. Omega Engineering, Inc. can not guarantee the operation of the DSP-225 with any other third party device drivers for OS/2.
4. There must be at least 16 bytes of available I/O space and 1 available IRQ.

After the system has been configured to the above specifications, the DSP-225 Client Driver may be installed with the following procedure:

1. Copy the DSP225.SYS client driver file from the distribution disk to any convenient directory on the hard disk.
2. Open the CONFIG.SYS file using any ASCII text editor.
3. Add the following line to the CONFIG.SYS file:


```
DEVICE = drive:\path\DSP225.SYS options
```

where *options* are the DSP-225 OS/2 Client Driver command line options discussed in the following sections.
4. Save the CONFIG.SYS file, exit the text editor, shutdown the system, and reboot to activate the changes.

4.1 Command Line Options

The DSP-225 Client Driver for OS/2 supports two methods of configuration: using "system assigned" resources and using "user assigned" resources. Both options provide full PCMCIA compliance and functionality (including "Hot-swapping") but each has some advantages and disadvantages as discussed in the following sections.

4.1.1 Configuring With "System Assigned" Resources

Allowing the OS/2 Plug-and-Play system to assign the hardware resources to the DSP-225 is the ideal choice when only OS/2 programs will access the serial ports. When configuring the hardware, the user simply specifies a list of COM port numbers. When a DSP-225 is inserted into a PCMCIA socket, the client driver will configure the card as a series of COM ports, starting with the lowest available port number in the list.

Configuring a DSP-225 with system assigned resources can be a problem, however, if DOS and/or Windows applications will be accessing the serial ports. This is because most DOS applications write directly to the communications hardware and the Windows' Control Panel also wants to know the hardware configuration of the serial ports. In these cases, the user may want to configure the DSP-225 with "user assigned" resources.

4.1.1.1 Example 1

```
DEVICE=C:\DSP-225\DSP225.SYS COM3
```

In example 1, the Client Driver will attempt to configure the DSP-225 as COM3 and COM4. If COM3 or COM 4 already exists in the system, the DSP-225 will not be configured. Furthermore, only one DSP-225 can be installed in this system.

4.1.1.2 Example 2

```
DEVICE=C:\DSP-225\DSP225.SYS COM7 COM3
```

In example 2, the Client Driver will attempt to configure the DSP-225 as COM3 and COM4. If COM3 or COM4 already exists in the system, the Client Driver will attempt to configure the DSP-225 as COM7 and COM8. If COM7 or COM8 already exist in the system, the DSP-225 will not be configured. Up to two DSP-225s can be installed in this system.

4.1.2 Configuring With "User Assigned" Resources

As mentioned in the previous section, allowing the OS/2 Plug-and-Play system to assign the hardware resources to the DSP-225 is ideal for OS/2 programs but can be a problem if DOS and/or Windows applications will be accessing the serial ports. This is because most DOS applications write directly to the communications hardware and the Windows' Control Panel also wants to know the hardware configuration of the serial ports. For this reason, the DSP-225 Client Driver allows the user to request specific hardware settings using a series of command line arguments of the form

(port,address,irq)

port specifies the beginning COM port number
address specifies the base I/O address of the DSP-225 in hexadecimal and must reside on an even 16-byte (10H) boundary.
irq specifies the interrupt level (IRQ) of the DSP-225 in decimal. *irq* must be one of the following values: 3, 4, 5, 7, 9, 10, 11, 12, 14, or 15.

Each argument must be enclosed in parentheses and must be separated from other arguments by a space on the command line. Within each argument, the parameters must be separated using a comma (no spaces). When a DSP-225 is inserted into a PCMCIA socket, the client driver will configure the card as a series of COM ports, starting with the lowest available port number in the list.

IMPORTANT:

If the user specified resources are in-use by other devices in the system, the DSP-225 will not be configured.

4.1.2.1 Example 1

```
DEVICE=C:\DSP-225\DSP225.SYS (3,100,5)
```

In example 1, the Client Driver will attempt to configure the DSP-225 as COM3 and COM4 using I/O addresses 100-10F hex and IRQ 5. If COM3 or COM4 already exists, or if the I/O address or IRQ resources are already in use, the DSP-225 will not be configured. Furthermore, only one DSP-225 can be installed in this system.

4.1.2.2 Example 2

```
DEVICE=C:\DSP-225\DSP225.SYS (7,120,15) (3,300,4)
```

In example 2, the Client Driver will attempt to configure the DSP-225 as COM3 COM4 using I/O address 300-30F hex and IRQ 4. If COM3 or COM4 already exists, or if the I/O address or IRQ resources are already in use, the Client Driver will attempt to configure the DSP-225 as COM7 and COM8 using I/O address 120-12F hex and IRQ 15. If COM7 or COM8 already exists or if the I/O address or IRQ resources are already in use, the DSP-225 will not be configured. Up to two DSP-225s can be installed in this system.

4.1.3 Advanced Configuration Topics

For some applications, it may be desirable to specify the resources for one DSP-225 while allowing the OS/2 Plug-and-Play system to assign the hardware resources for any additional cards. This can be accomplished by mixing the configuration methods on the DSP-225 Client Driver command line

```
DEVICE=C:\DSP-225\DSP225.SYS (3,100,5) COM7
```

It is important to remember that when a DSP-225 is inserted into a PCMCIA socket, the client driver will configure the card as a series of COM ports, starting with the lowest available port number in the list.

Another common application requirement is to have a DSP-225 inserted into socket 1 be configured as COM3 and COM4 while a DSP-225 inserted into socket 2 be configured as COM7 and COM8. This type of configuration is supported by appending a "=Sx" parameter **after** any command line argument.

```
DEVICE=C:\DSP-225\DSP225.SYS COM3=S1 COM7=S2
```

```
DEVICE=C:\DSP-225\DSP225.SYS (3,100,4)=S1 (7,300,3)=S2
```

4.1.4 Options

The client driver supports the DSP-225's hardware configuration options. It also allows a configuration to be tied to a particular socket. These options are specified on the "DEVICE=" statement line in CONFIG.SYS.

=HS enables RTS-CTS Hardware Handshake. The RTS signal will be connected to AUXOUT and the CTS signal will be connected to AUXIN. This allows RTS-CTS hardware flow control to be used. If this option is omitted, the default setting is RTS-CTS hardware handshaking is disabled. When modem control handshaking is disabled, the RTS and CTS signals from the 16C550 UART are looped back to each other.

Example: DEVICE=x:\path\DSP225.SYS (3,110,4)=HS

=DTR use DTR to enable outputs on Port A. Outputs are enabled when the DTR signal is active. This allows half-duplex communication. By default, the outputs on port B (COM 4 in this case) are always enabled.

Example: DEVICE=x:\path\DSP225.SYS (15,110,5)=DTR

=RTS use RTS to enable outputs on Port B. Outputs are enabled when the RTS signal is active. This allows half-duplex communication. By default, the outputs on port B are always enabled.

Example: DEVICE=x:\path\DSP225.SYS COM17=RTS

4.1.5 Using Multiple Options

Multiple options on a configuration can be used simply by stacking the options together.

Example: On COM3 and COM4, use RTS-CTS flow control and enable the transmitter outputs with the DTR signal. For COM5 and COM6, leave RTS and CTS in loopback, and leave the outputs enabled all the time.

```
DEVICE=x:\path\DSP225.SYS COM3=DTR=HS COM5
```

4.1.6 Applying Options to All The DSP-225 Cards

All options (except socket designation) can also be applied globally to all DSP-225s. Replace the '=' option with a '/' and place the option by itself on the command line. These options will override their '=' counterparts.

Example: DEVICE=x:\path\DSP225.SYS COM3=S1 COM8=S2 /HS /DTR

Always configure a DSP-225 in socket 1 as COM3 and COM4, and a DSP-225 in socket 2 as COM8 and COM9. In addition, connect RTS and CTS to AUXOUT and AUXIN respectively, on all ports, and use the DTR signal to enable the transmit outputs of all ports.

4.2 Monitoring The Status Of PCMCIA Cards

OS/2 Warp provides a utility called "Plug and Play for PCMCIA" that can be used to monitor the status of each PCMCIA socket. In OS/2 version 2.1, this utility is called "Configuration Manager". When a DSP-225 is inserted, the Card Type for the appropriate socket will display "Multi-Function". If the card is successfully configured, the Card Status will display "Ready". If the card cannot be configured, the Card Status will be "Not Ready". You can view the resources claimed by a configured card by double-clicking on that card's line in the window.

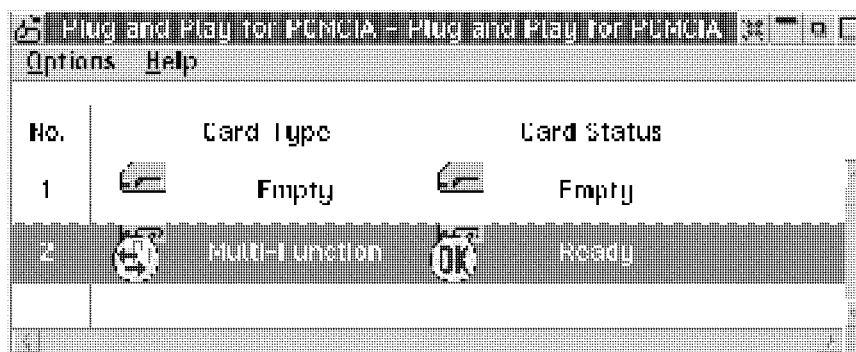


Figure 8. OS/2 Plug and Play GUI with properly configured DSP-225

4.3 Common Problems and Important Notes

1. A configuration will fail if a COM port already exists or if the client driver finds the address range or IRQ to be already in use.
2. Upon card removal, resources are released for possible use by other devices.
3. If multiple cards are present in sockets when the computer is booted, the card in the lowest number socket will be configured first, followed by the progressively higher numbered sockets.
4. On most computers, the lowest numbered socket is labeled socket 1. Some computers may start with socket 0. It does not matter to the client driver.
5. The highest socket number supported by the client driver is 8.
6. Note that each COM port parameter specifies two ports. If parameters overlap, the client driver will not load. An example of overlap would be `DEVICE:=X:\path\DSP225.SYS COM3 COM4`, where the first parameter specifies COM 3 and COM 4, and the second parameter specifies COM 4 and COM 5.
7. Other serial port cards cannot be configured using the DSP-225 client driver.
8. The DSP-225 client driver does not support the "OrderSEL" feature of the DSP-225. The RS-232 port is always Port A (lowest-numbered) and the RS-422/485 port is always Port B (highest-numbered).

5. Hardware Information

5.1 I/O Addressing Modes

The DSP-225's two asynchronous serial ports are implemented using 2 standard 16C550 UARTs. Each of these UARTs requires 8 bytes of I/O space. The DSP-225's serial ports are addressable in two modes:

1. **'Block Mode'** : The two serial ports are configured in one 16-byte continuous block of I/O address space. The block must begin on an even 16-byte (10H) boundary (e.g. 300H, 310H, 320H, etc.).

DSP-225 RS-232 channel	Address assignment
Channel A	Base Address + 0
Channel B	Base Address + 8

Figure 9. Block Mode Addressing.

2. **'COM Mode'** : The two serial ports are configured at the standard COM port I/O address locations. The ports may be configured as COM1 and COM3; or as COM2 and COM4.

5.2 Scratchpad Register

Each 16C550 UART contains 8 I/O registers. The last of these registers, located at (Base address + 7), is referred to as the 'Scratchpad Register' and provides no functionality to the UART. In place of this Scratchpad Register, the DSP-225 implements an interrupt status register which can be accessed at (Base address + 7) of any UART.

D7	D6	D5	D4	D3	D2	D1	D0
0	0	0	0	0	0	Intr B	Intr A

Figure 10. Interrupt Status Register.

When one or more UARTs have interrupts pending, the associated bit(s) in the interrupt status register are set to logic 1. When all the pending interrupts have been serviced for a specific UART, its interrupt status bit will be cleared to logic 0 automatically. When all the pending interrupts from all UARTs have been serviced, the entire interrupt status register will return logic 0. The application program should not exit its interrupt service routine until all pending interrupts from all channels have been

serviced (interrupt status register = 0) or no additional interrupts will be received.

If an application requires the UARTs' Scratchpad Registers, the interrupt status register can be disabled. Disabling the interrupt status register is supported by the DSP-225 configuration software, which is operating system dependent. Refer to the relevant operating system installation section for specific usage of this feature.

5.3 Auxiliary Channel Configuration

An auxiliary channel is provided which allows for handshaking between the DSP-225 RS-422/485 port and a peripheral device. This auxiliary channel may be configured in one of two ways:

- ▼ RTS-CTS handshake enabled.
- ▼ handshaking is disabled.

5.3.1 Auxiliary Channel: RTS-CTS Handshaking.

The RTS-CTS handshake may be enabled so that RTS (request to send) is the auxiliary output signal on AUX OUT+ (pin 1) and AUX OUT- (pin 6). Similarly, CTS (clear to send) is the auxiliary input signal on AUX IN+ (pin 5) and AUX IN- (pin 9). This configuration is shown below.

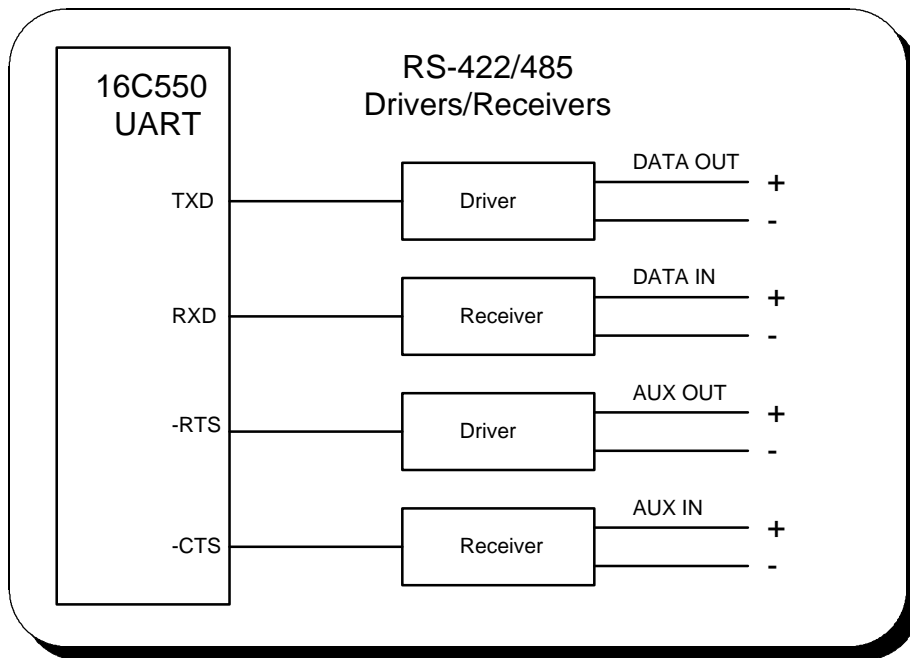


Figure 11. Auxiliary Channel RTS-CTS Handshaking.

5.3.2 Auxiliary Channel: Handshaking Disabled.

The DSP-225's RS-422/485 port may be configured so that the RTS-CTS handshake is disabled. This is the default configuration. In this configuration, RTS and CTS from the 16C550 UART will be looped back to each other. In addition, the auxiliary output and input signals will be looped back to each other. This configuration is shown below:

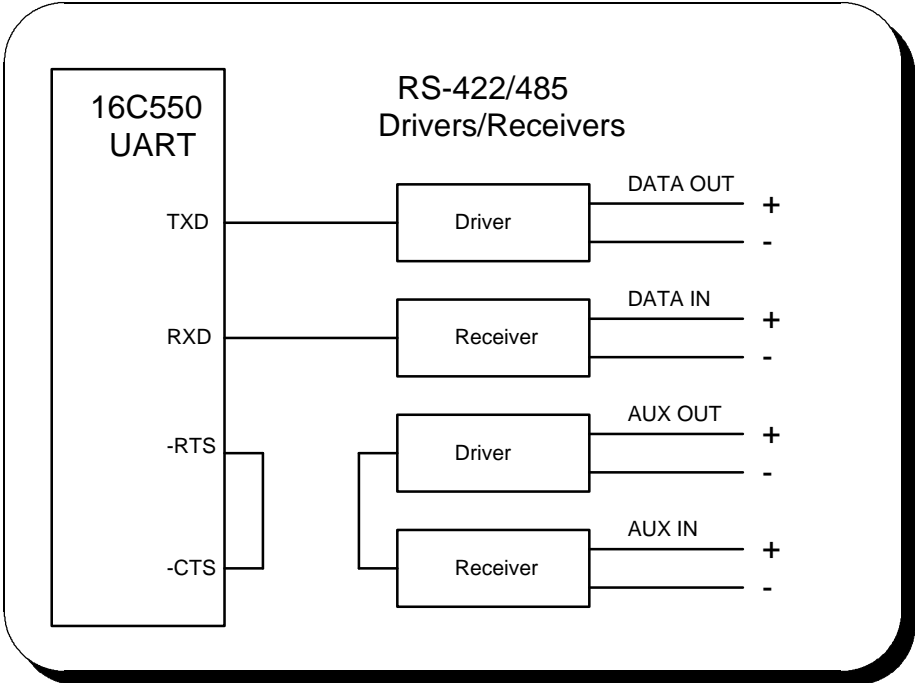


Figure 12. Auxiliary Channel Handshaking Disabled

5.4 Termination Resistors

No termination resistors are provided on the DSP-225's RS-422/485 port. Both output and input signals are connected only to the external connector. Any termination which is required must be added externally.

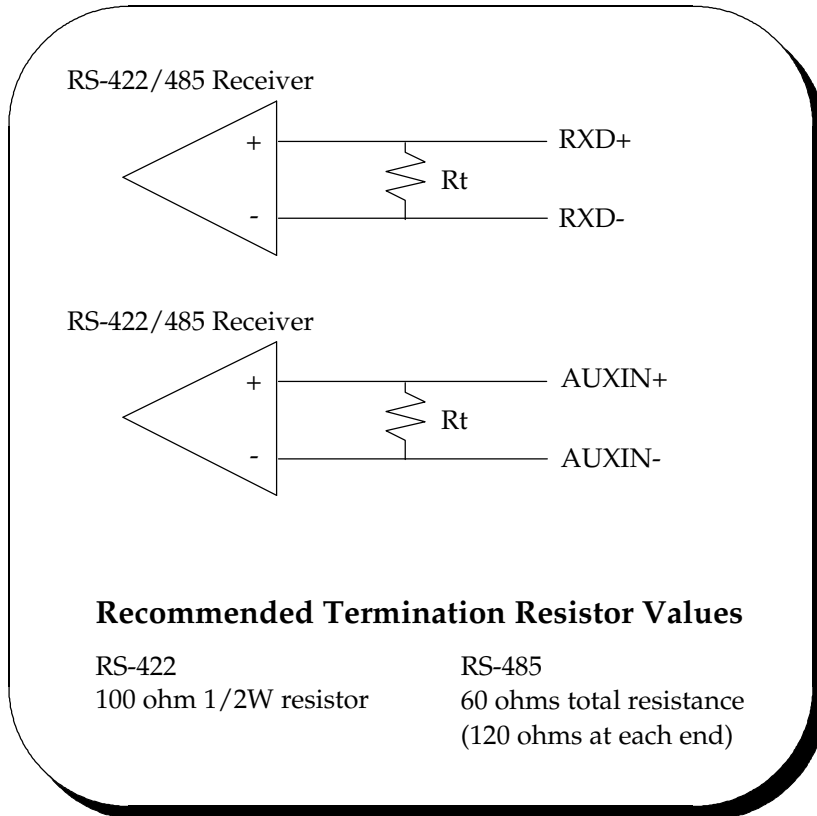


Figure 13. RS-422/485 Termination

5.5 Half Duplex Operation

The DSP-225's RS-422/485 port may be configured for either full duplex or half duplex operation. By default, the RS-422/485 port is configured for full duplex operation with the RS-422/485 output drivers always enabled.

In half duplex mode, the RS-422/485 transmitter may be enabled and disabled via the RTS (request to send) or DTR (data terminal ready) signals. Both RTS and DTR are controlled through the Modem Control Register of the 16550.

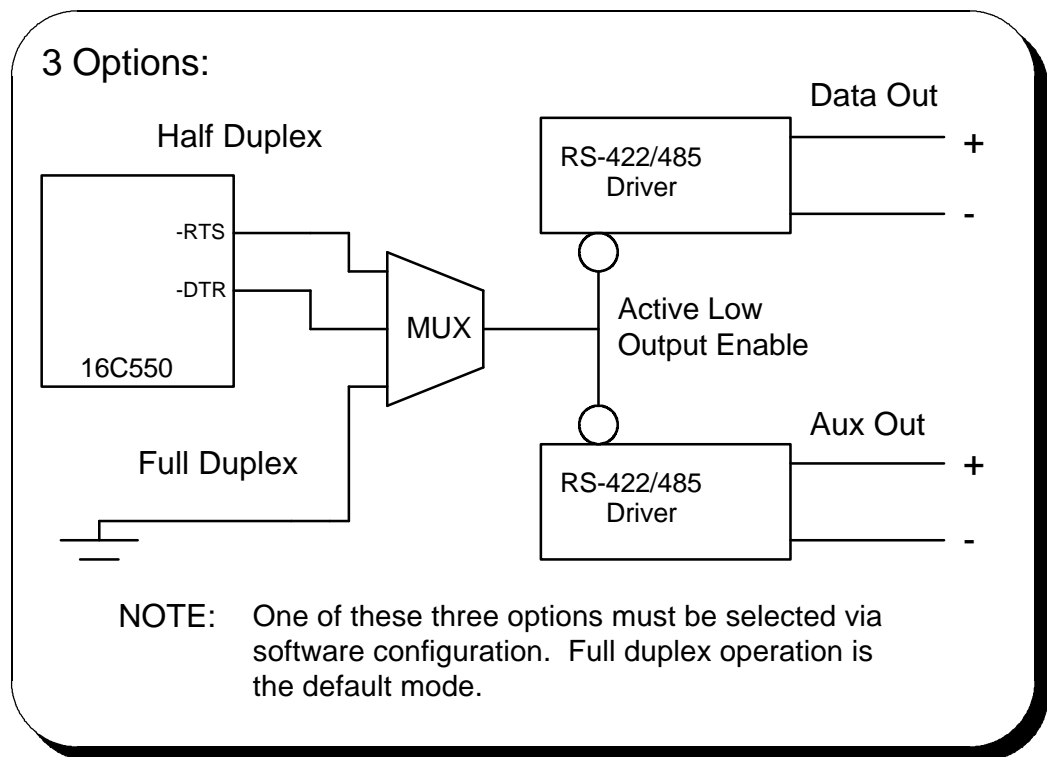


Figure 14. RS-422/485 Driver Enable Options

If RTS is selected as the signal to enable the output drivers, setting 'bit 1' of the Modem Control Register (to logic '1') will enable the output drivers and clearing 'bit 1' of the Modem Control Register (to logic '0') will force the outputs into a high impedance state.

Similarly, if DTR is chosen as the signal to enable the output drivers setting 'bit 0' of the Modem Control Register (to logic '1') will enable the output drivers and clearing 'bit 0' of the Modem Control Register (to logic '0') will force the outputs into a high impedance state.

Selection of half duplex mode operation is dependent upon the configuration software and/or the operating system used. Each of these, however, ultimately control the half duplex mode by accessing the PCMCIA Configuration Register on the DSP-225.

CAUTION:

When operating in half duplex mode, the transmitter output drivers **must be** disabled before receiving any information. Failure to do so will result in two output drivers being connected together which may cause damage to the adapter, the computer, and/or the peripheral equipment.

5.6 PCMCIA Configuration Register

Some PCMCIA software utilities allow the PCMCIA Configuration Option Register to be examined. The PCMCIA Configuration Option Register of the DSP-225 is defined as follows:

BIT	DESCRIPTION	
7	SRESET	Setting this bit to a 1 resets all bits in the CIS except for this bit. This bit must be reset to 0 to allow operation of the card.
6	LevlREQ	1 = Level Mode IRQ 0 = Pulse Mode IRQ (500 ns)
5	ModemCntrl	1 = RTS- CTS handshake 0 = RTS-CTS loopback
4:3	OutputEn	00 = Outputs always enabled (Memory Mode) 01 = DTR used as output enable 10 = RTS used as output enable 11 = Outputs always enabled (Memory Mode)
2	OrderSel	1 = Port A (232) is high COM port or high block 0 = Port A (232) is low COM port or low block
1	ScratchEn	1 = Scratchpad Registers Enabled and Interrupt Status Register Disabled 0 = Scratchpad Registers Disabled and Interrupt Status Register Enabled
0	ConfigMode	1 = COM mode 0 = block mode

Figure 15. PCMCIA Configuration Options Register

6. External Connections

An adapter cable is included with the DSP-225 to convert the 25-pin output connector into 2 standard D-9 connectors. The RS-232 port uses a standard D-9 male connector, and the RS-422/485 port uses a standard D-9 female connector as shown in the figures below.

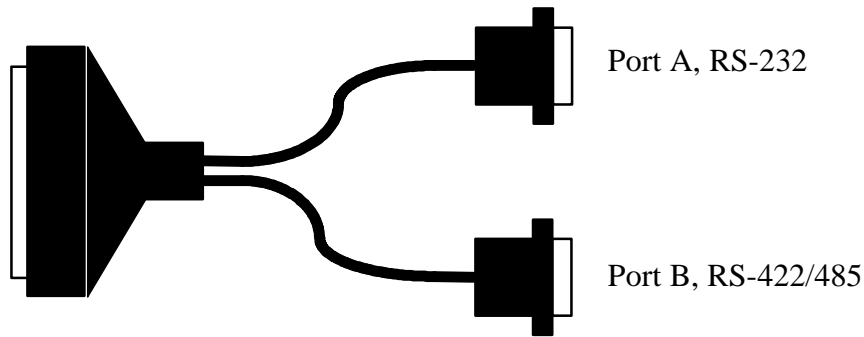


Figure 16. DSP-225 Adapter Cable

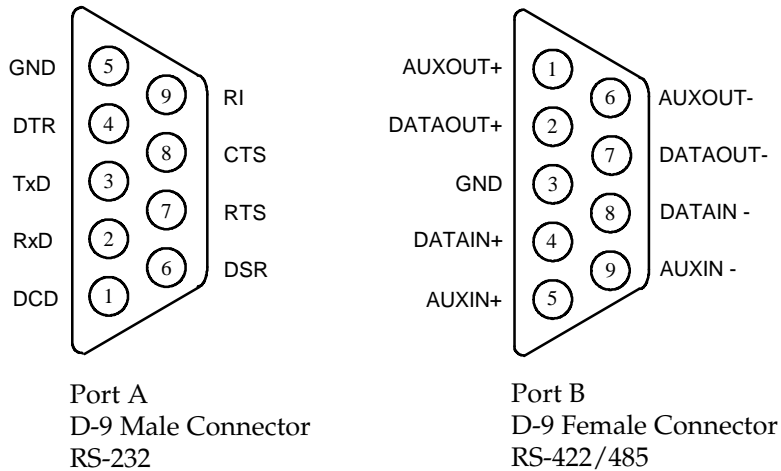


Figure 17. Connector Signal Assignment.